

Automatic Fire Nozzle

Model: QLD6.0/7-IV



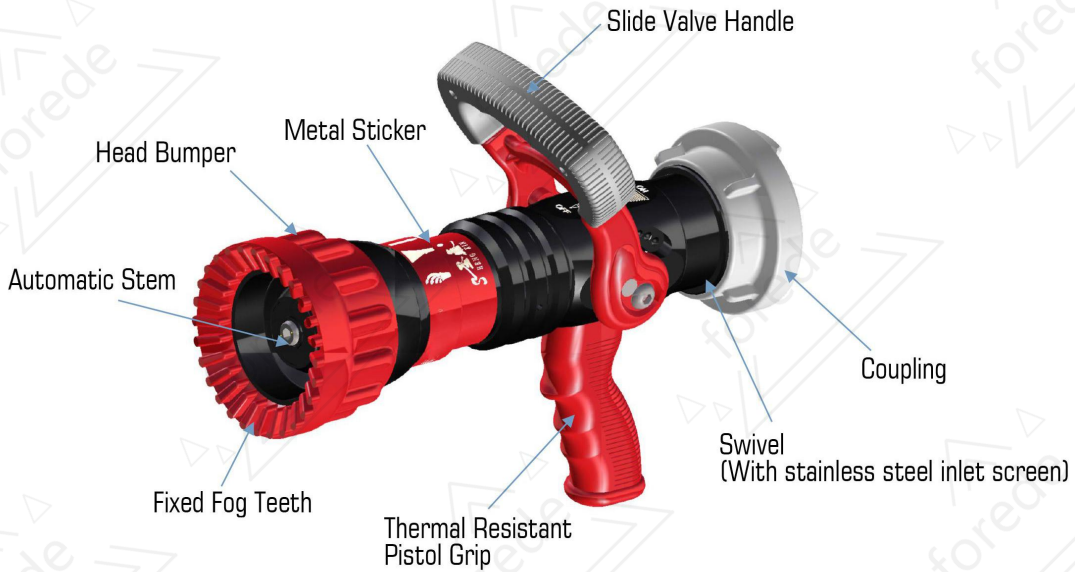
Features

- 1) Automatic (constant pressure, variable flow, constant gallonage, flow does not change with pattern).
- 2) 6 detents stainless steel slide valve.
- 3) Simple to operate (1/4 turn from straight stream to fog).
- 4) Fixed molded rubber teeth.
- 5) Hard coated anodized aluminum stickers.
- 6) Inlet screen (304 stainless steel).
- 7) 360° Swivel, full time, even after tightening
- 8) Compatible with Quick Attach Foam Tube

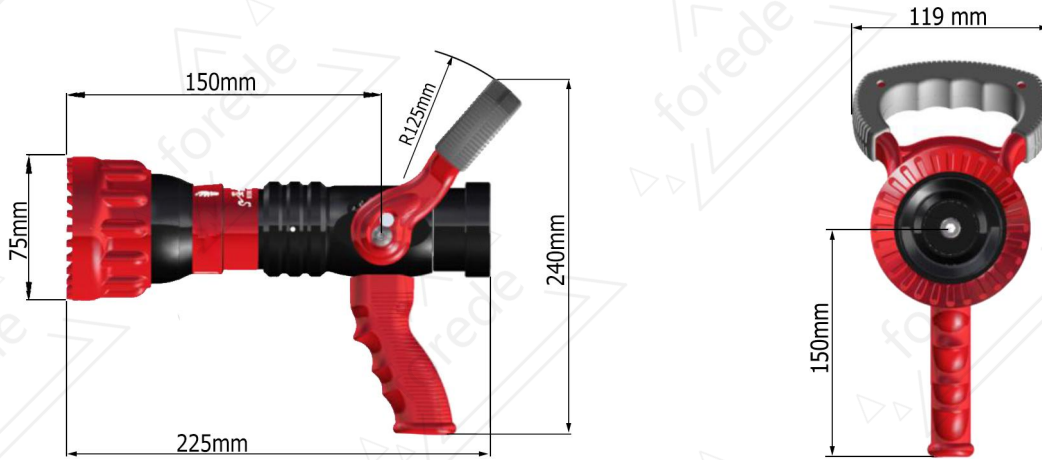
Specification

Material	Body	Hard Anodized Aluminum Alloy
	Valve	Stainless steel
	Handle	ABS
	Bumper	Rubber
Working pressure	6 bar	
Max. working pressure	25 bar	
Jetting Range	40 meters @ 6 bar	
Max. Fog angle	120°	

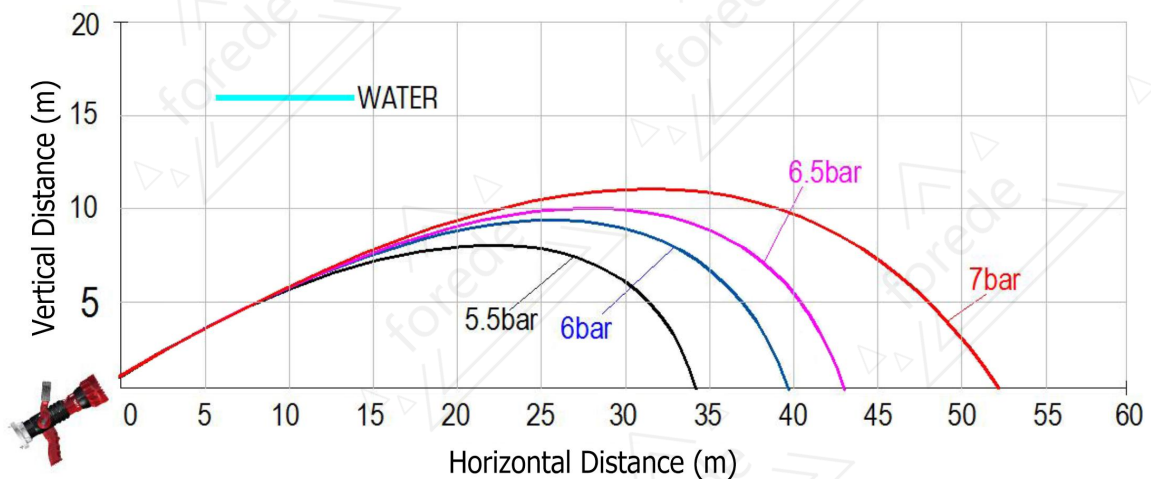
Flow Range	40 - 400 LPM (10 - 100 GPM), automatic
Inlet	1.5 inch, 2 inch , 2.5 inch available for STORZ,GOST,NH,INST,MACHINO,etc.

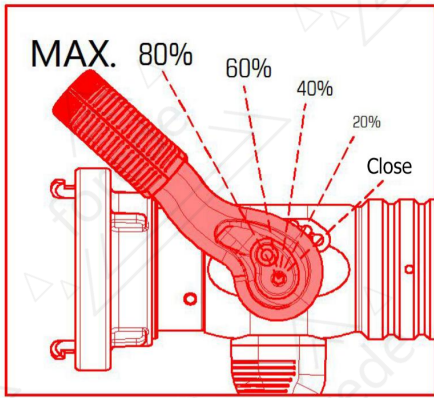


■ Forede supplies a number of different couplings of our products, depending on your order, the coupling may be different from that shown.



Performance Chart





6 dents slide valve



360° swivels



Pattern adjustment

